

Ultrasonic Homogenerator/Sonicator

RPS  sonic

20Khz sonicator

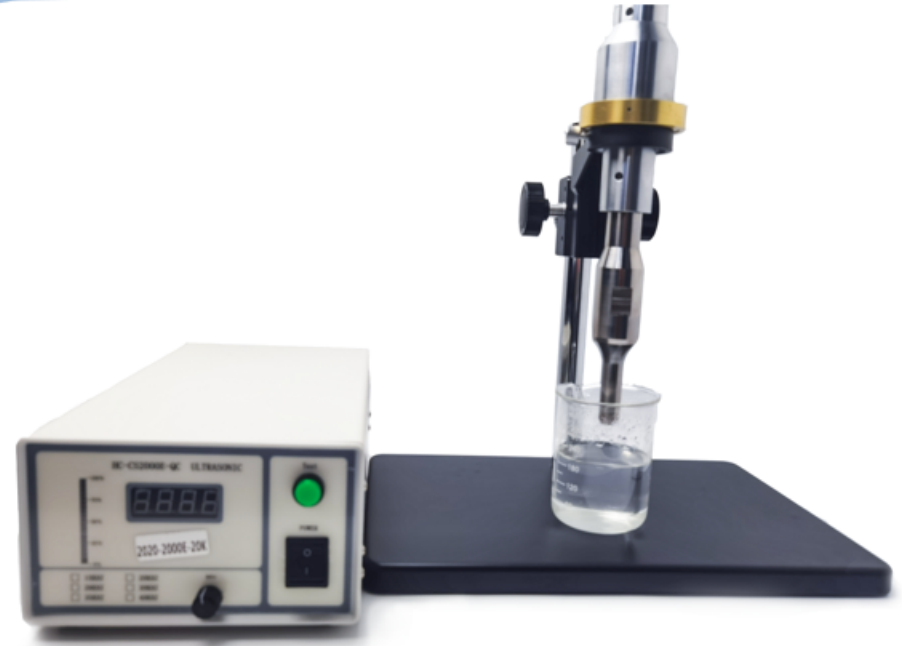
The most important feature of a Sonicator is reproducibility.

Improved internal circuitry guarantees more efficient operation, sample-to-sample consistency and most importantly, a reliable end result.

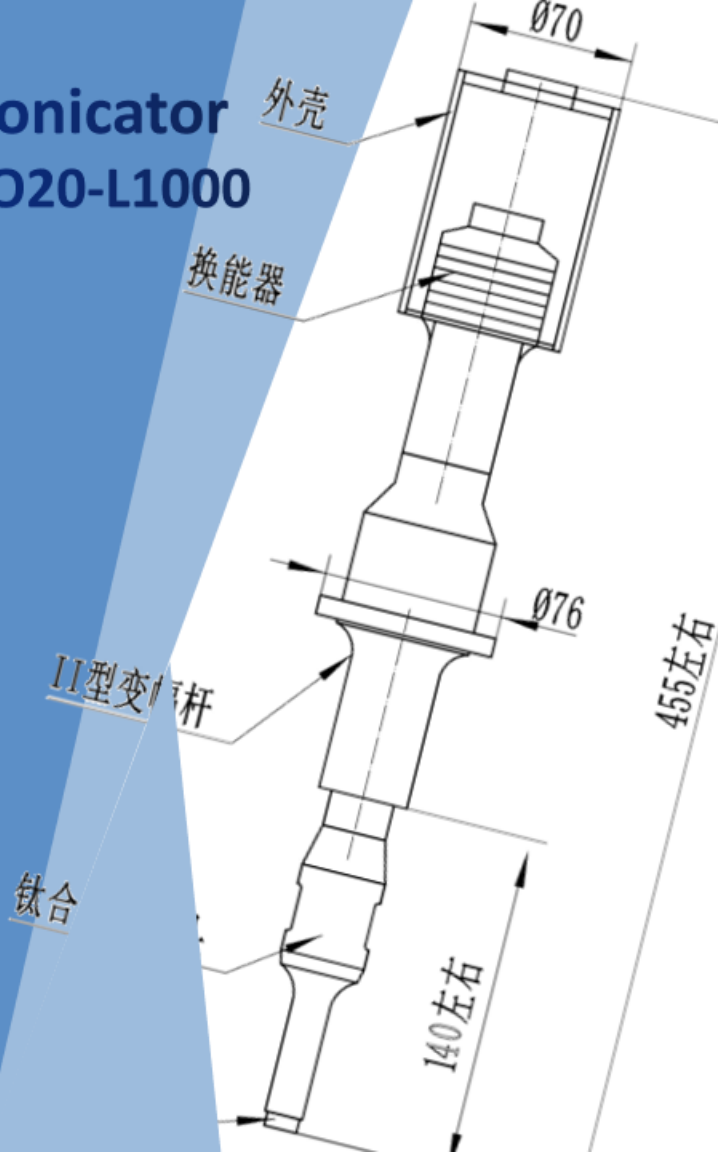
The ultrasonic homogenizer offers amplitude control from 10-90%. This enables greater control of the probe's intensity, helping to pinpoint the optimum settings for efficient sample processing.

The ultrasonic homogenizer offers time control from 0.1~99 seconds.

We have increased maximum power output to 1000 watts making the system more durable and capable of handling even larger samples if necessary.



20Khz sonicator RPS-SONO20-L1000



Item	Parameter
Power:	1000W in max
Frequency:	20Khz
Transducer :	5020-4D
Booster:	1:2 or 1:1.5 or or customized
Horn:	13~25mm, 16mm as Standard
Horn material:	Titanium alloy
Horn type	Nut type T cap horn
T cap	3 pcs
Power cable:	2mm as standard
Converter cable:	1.5mm
Wrench set:	1 set
Generator:	2000E,2000H

技术说明:

1. 频率20KHz

2. 功率

Nut type T cap horn

Replacement Tips for Standard Probes
Standard 13mm, 14mm and 15mm
16mm horns have replaceable tips.
During normal use, tips erode and
become less effective over time. These
worn tips can be easily removed and
replaced.



Horn diameter	Tip connect screw
13mm	M8*1
14mm	M8*1
15mm	M8*1
16mm	M8*1



New Tip



Worn Tip

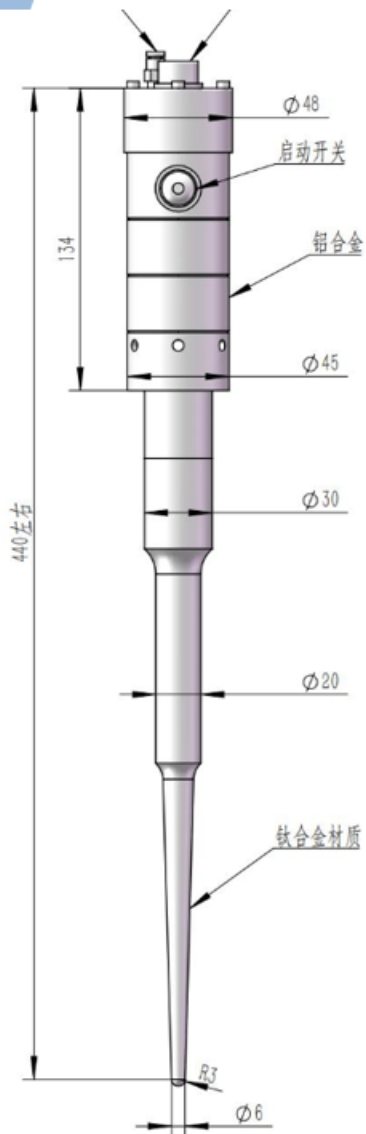
20Khz sonicator RPS-SONO20-L500



Microtips are thin, high intensity probes which are designed for processing small sample volumes. Microtips probe connect screw is 3/8-24 unf.

Item	Parameter
Power:	500W in max
Frequency:	20Khz
Transducer :	4020-4D
Booster:	1:2 or 1:1.5 or customized
Horn:	8mm~15mm
Horn material:	Titanium alloy
Horn type	Thin & Microtips
Horn NO.	1 pcs
Power cable:	2mm as standard
Converter cable:	1.5mm
Wrench set:	1 set
Generator:	2000B, or 2000E

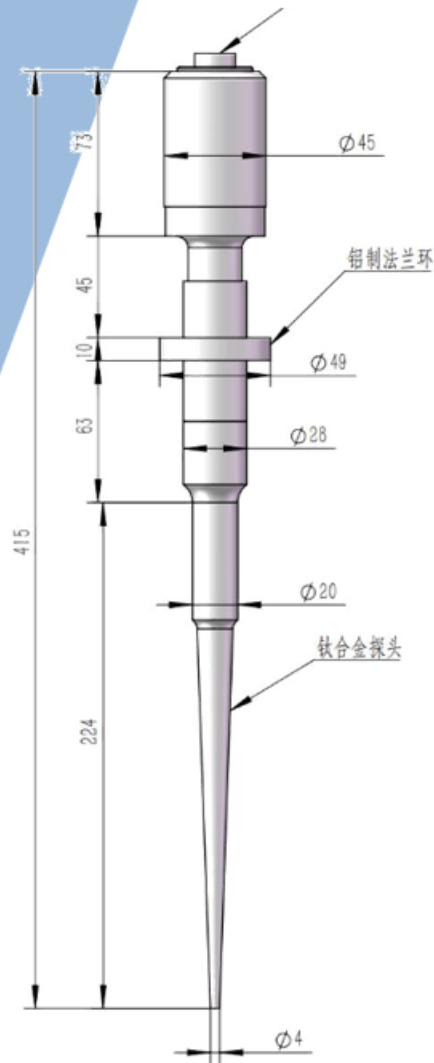
28Khz sonicator RPS-SONO28-L500



Item	Parameter
Power:	500W in max
Frequency:	28Khz
Transducer :	3028-4D
Booster:	1:2 ,1:1.5 or customized
Horn:	2~8mm
Horn material:	Titanium alloy
Horn type	Thin & Microtips
Horn NO.	1 pcs
Power cable:	2mm as standard
Converter cable:	1.5mm
Wrench set:	1 set
Generator:	2000B or analog

技术参数:
 频率: 27.5-28.5KHZ
 最大功率: 500W
 探头材质: 钛合金
 手柄材质: 铝合金(氧化金色)
 由于超声的特性, 长度尺寸会有调整

28Khz sonicator RPS-SONO40-L300



Item	Parameter
Power:	300W in max
Frequency:	40Khz
Transducer :	2540-2D
Booster:	1:2 ,1:1.5 or or customized
Horn:	2~6mm
Horn material:	Titanium alloy
Horn type	Thin & Microtips
Horn NO.	1 pcs
Power cable:	2mm as standard
Converter cable:	1.5mm
Wrench set:	1 set
Generator:	2000B or analog

技术参数
 频率: 39.5-40.1KHZ
 最大功率: 300W
 探头材质: 钛合金
 表面处理: 铝制品都喷砂氧化